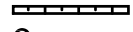

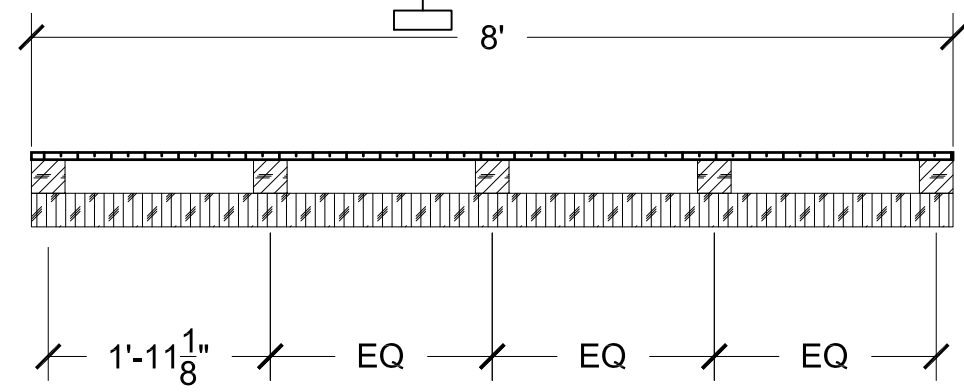


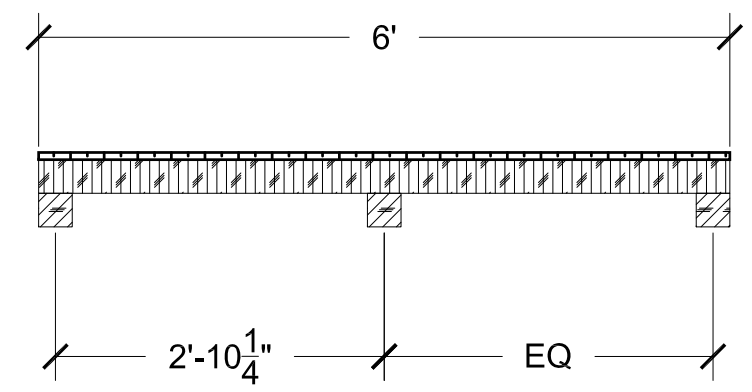
F1

  $\frac{3}{4}$ " Plywood Sheathing  
 Nominal 4"x4" Floor Bracing

TOP VIEW



FRONT VIEW



SIDE VIEW

1

**FLOOR ASSEMBLY PLAN**

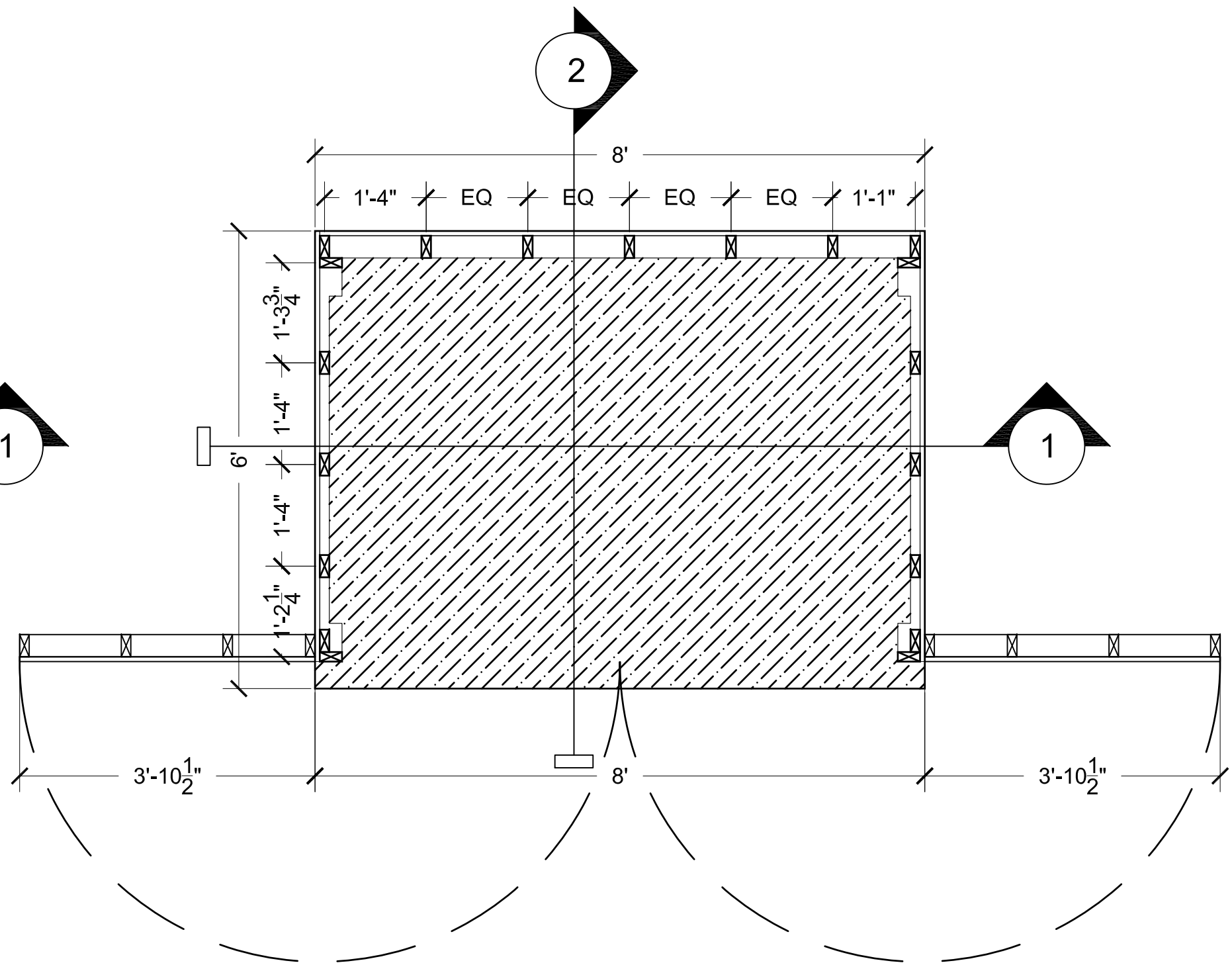
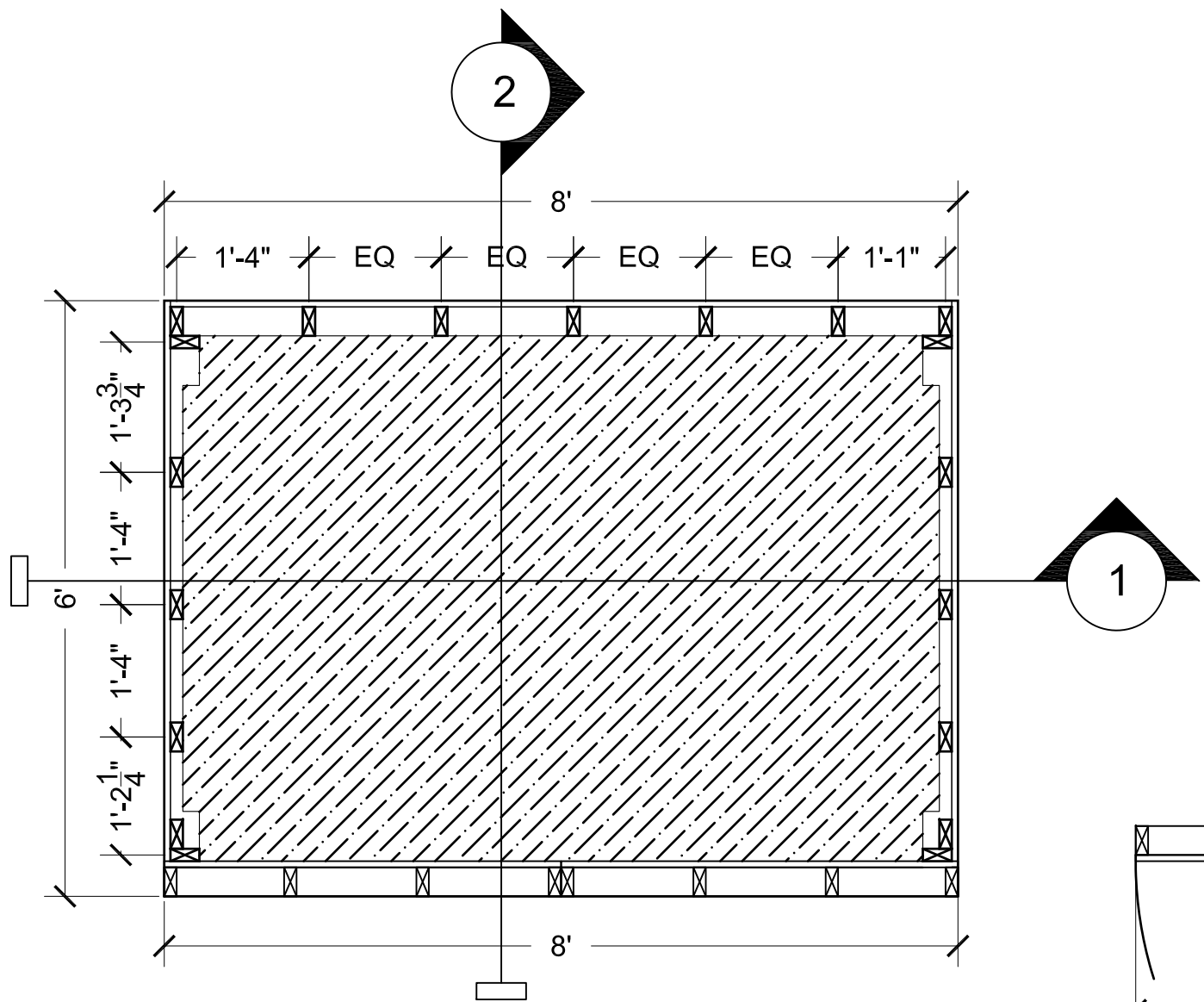
Scale: 1:20





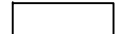
Project Name:  
**SAIT Polytechnic SKI FORCE ONE**  
**Toboggan & Technical Display Crate**

Project Designation:  
**Shipping Crate Working Drawings**  
**Registration Submission**

Scale: AS SHOWN    Project Number:  
 Date: 14/10/2015    **GNCTR 2016 - 1**  
 Drawn By: Kallum Umscheid    Sheet #:  
 Checked By: SAIT GNCTR AT Students    **A1 of 7**



**W1**

-  3/4" Plywood Sheathing
-  Nominal 2"x4" Wall Studs
-  Nominal 2"x4" Stud Wall  
Double Top and Bottom Plate

CLOSED POSITION

OPEN POSITION

1

**WALL ASSEMBLY PLAN**

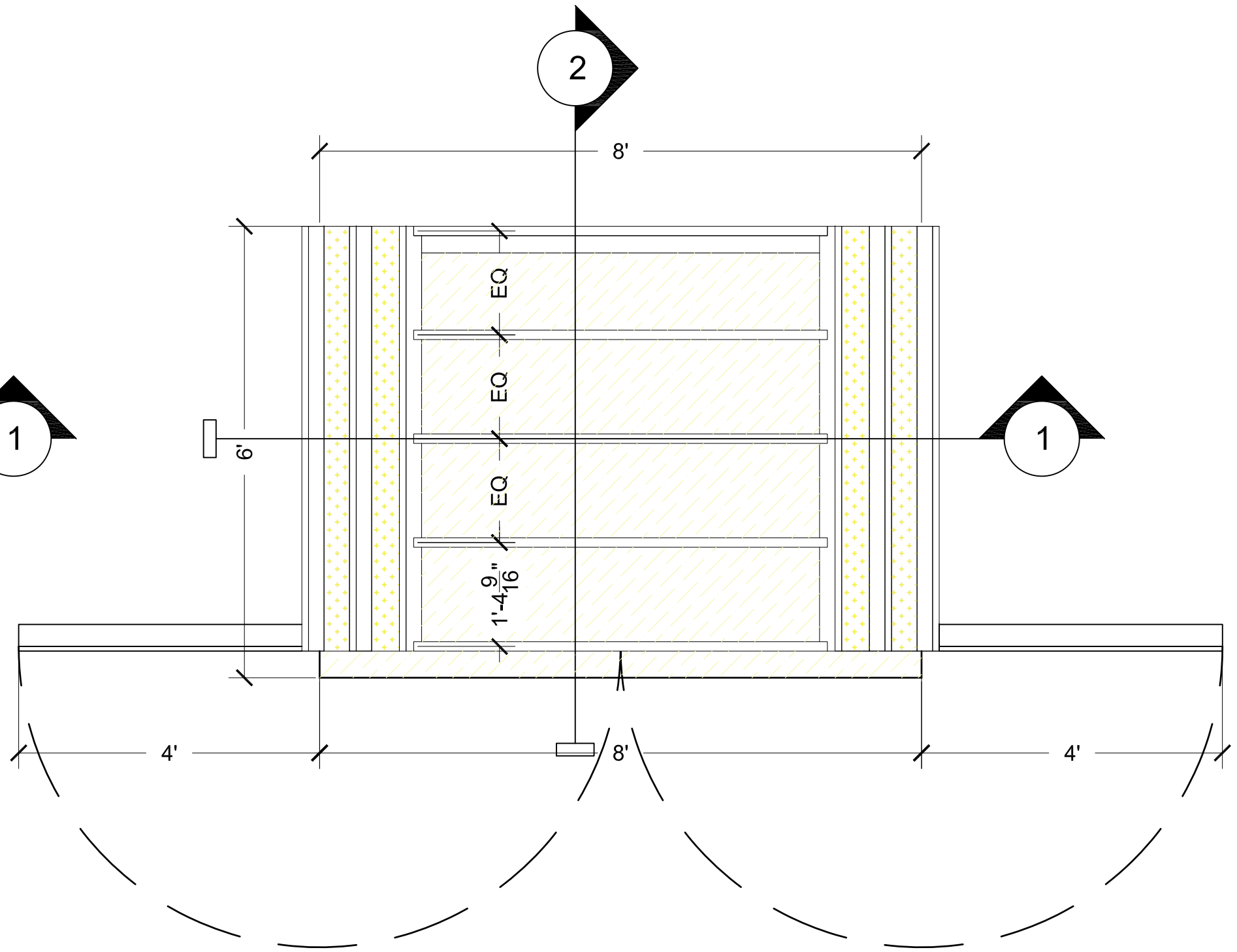
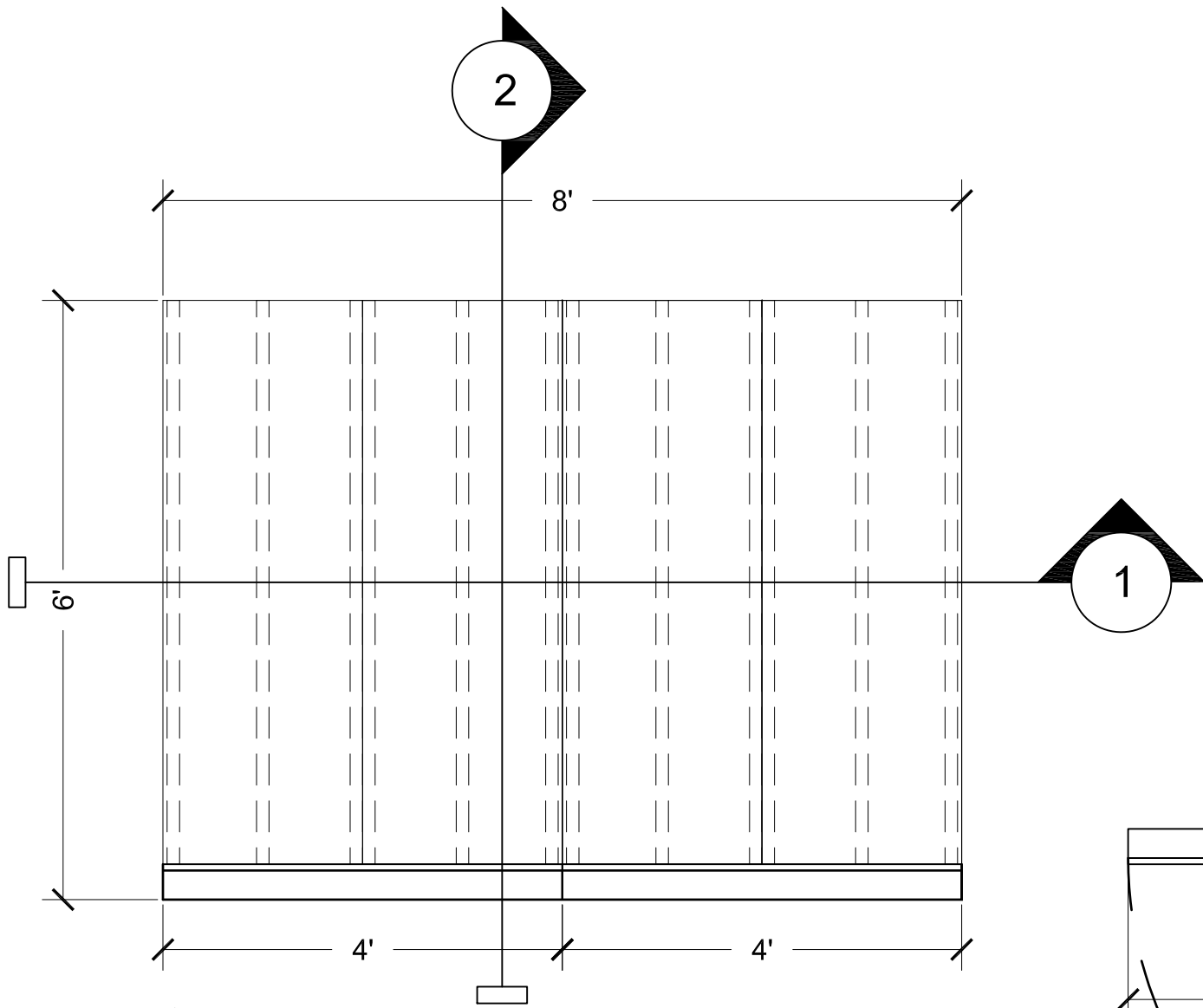
Scale: 1:20

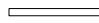

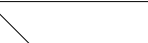


Project Name:  
**SAIT Polytechnic *SKI FORCE ONE***  
**Toboggan & Technical Display Crate**

Project Designation:  
**Shipping Crate Working Drawings**  
**Registration Submission**

Scale: AS SHOWN Project Number: GNCTR 2016 - 1  
 Date: 14/10/2015 Sheet #: **A2 of 7**  
 Drawn By: Kallum Umscheid  
 Checked By: SAIT GNCTR AT Students



- R1**
-  1/2" Plywood Sheathing
  -  Nominal 2"x4" Roof Framing
  -  Nominal 2"x6" Roof Bracing

CLOSED POSITION

OPEN POSITION

**1** ROOF ASSEMBLY PLAN

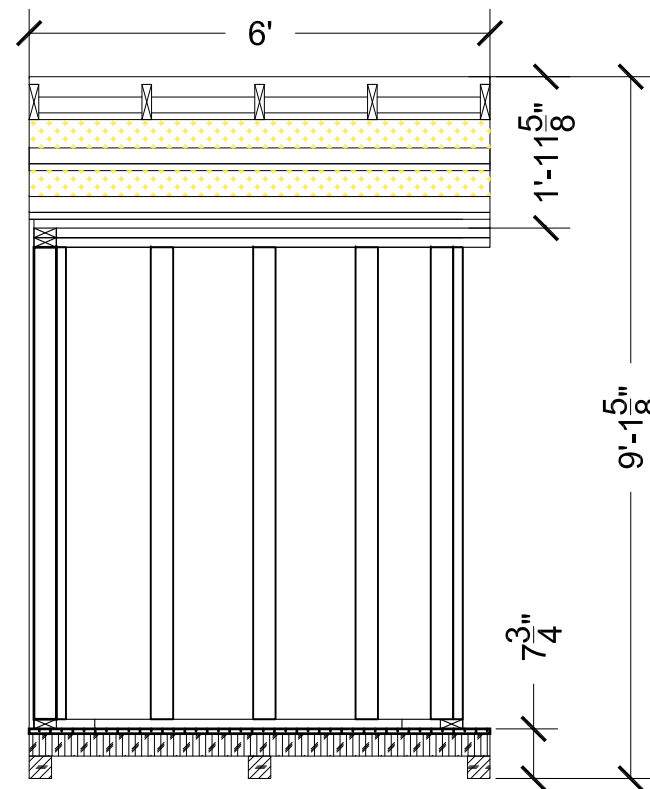
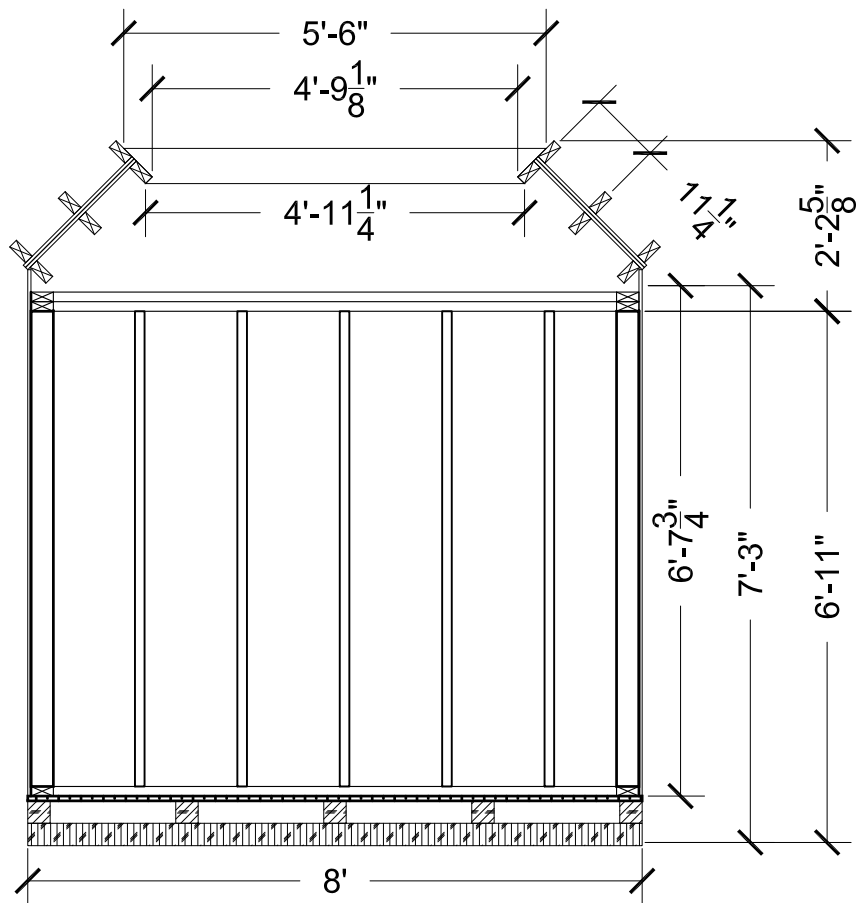
Scale: 1:20



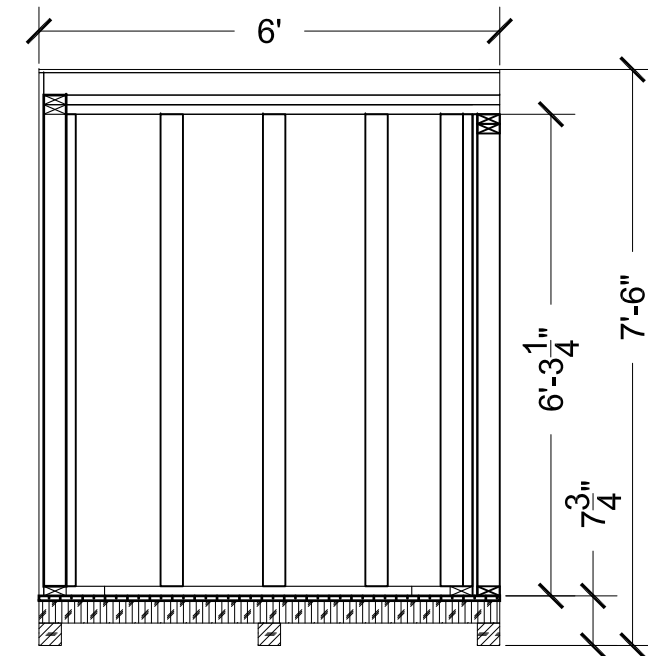
Project Name:  
**SAIT Polytechnic SKI FORCE ONE**  
 Toboggan & Technical Display Crate

Project Designation:  
 Shipping Crate Working Drawings  
 Registration Submission

Scale: AS SHOWN Project Number: GNCTR 2016 - 1  
 Date: 14/10/2015 Sheet #: **A3 of 7**  
 Drawn By: Kallum Umscheid  
 Checked By: SAIT GNCTR AT Students



OPEN POSITION



CLOSED POSITION

1

TECH DISPLAY SECTION 1

Scale: 1:30

2

TECH DISPLAY SECTION 2

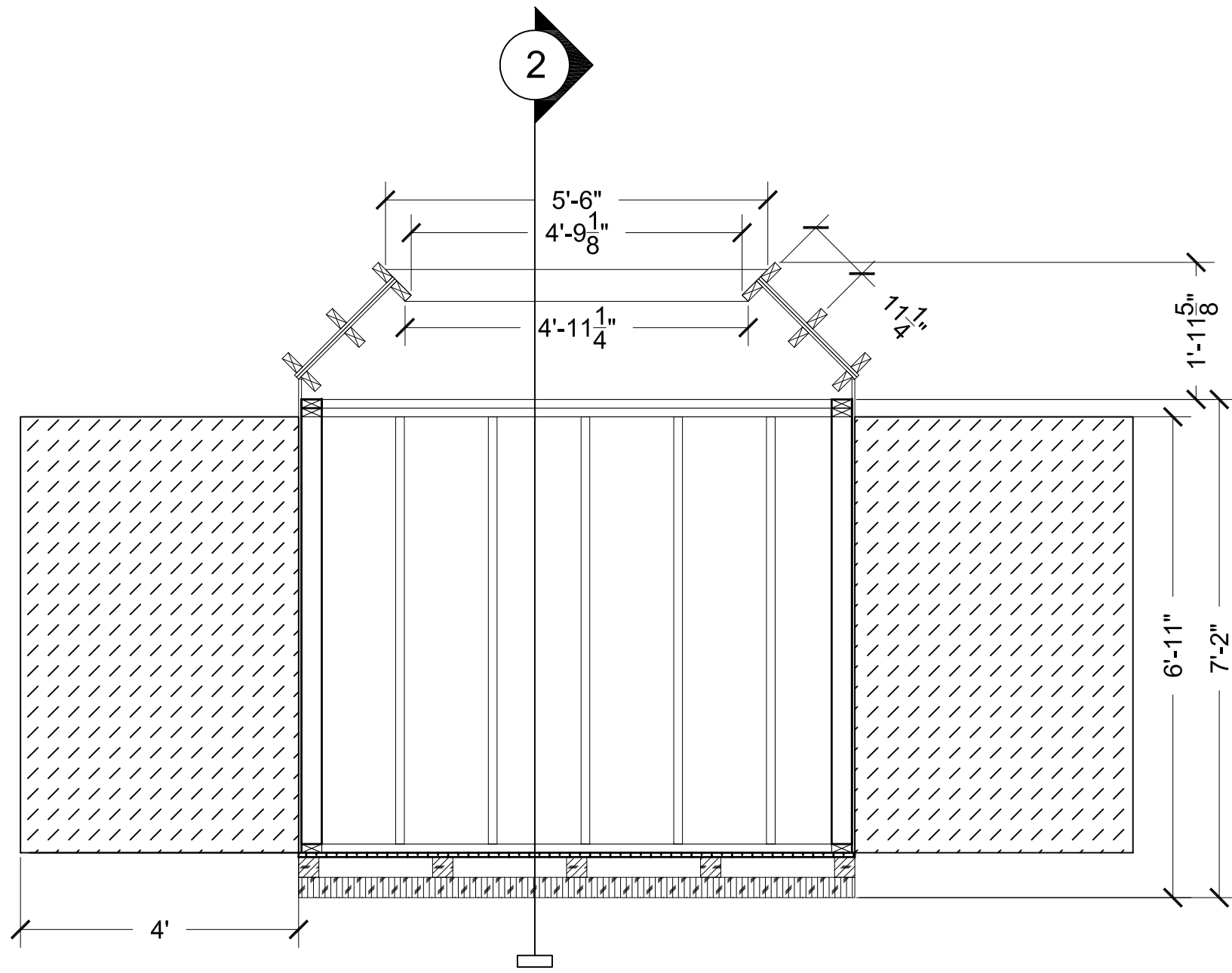
Scale: 1:30



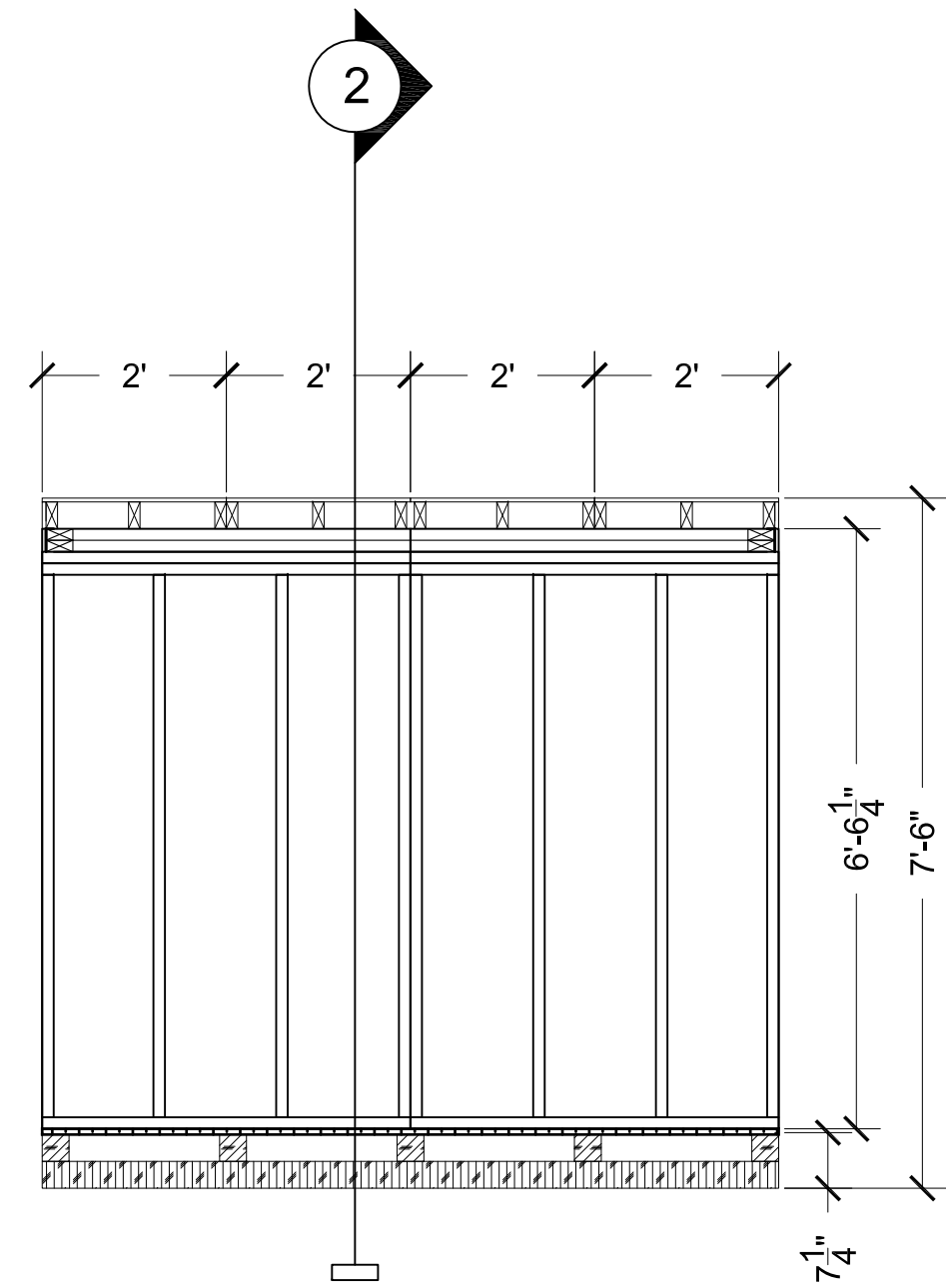
Project Name:  
**SAIT Polytechnic *SKI FORCE ONE***  
**Toboggan & Technical Display Crate**

Project Designation:  
**Shipping Crate Working Drawings**  
**Registration Submission**

Scale: AS SHOWN Project Number: GNCTR 2016 - 1  
 Date: 14/10/2015  
 Drawn By: Kallum Umscheid Sheet #: **A4 of 7**  
 Checked By: SAIT GNCTR AT Students



OPEN POSITION



CLOSED POSITION

1 FRONT ELEVATION

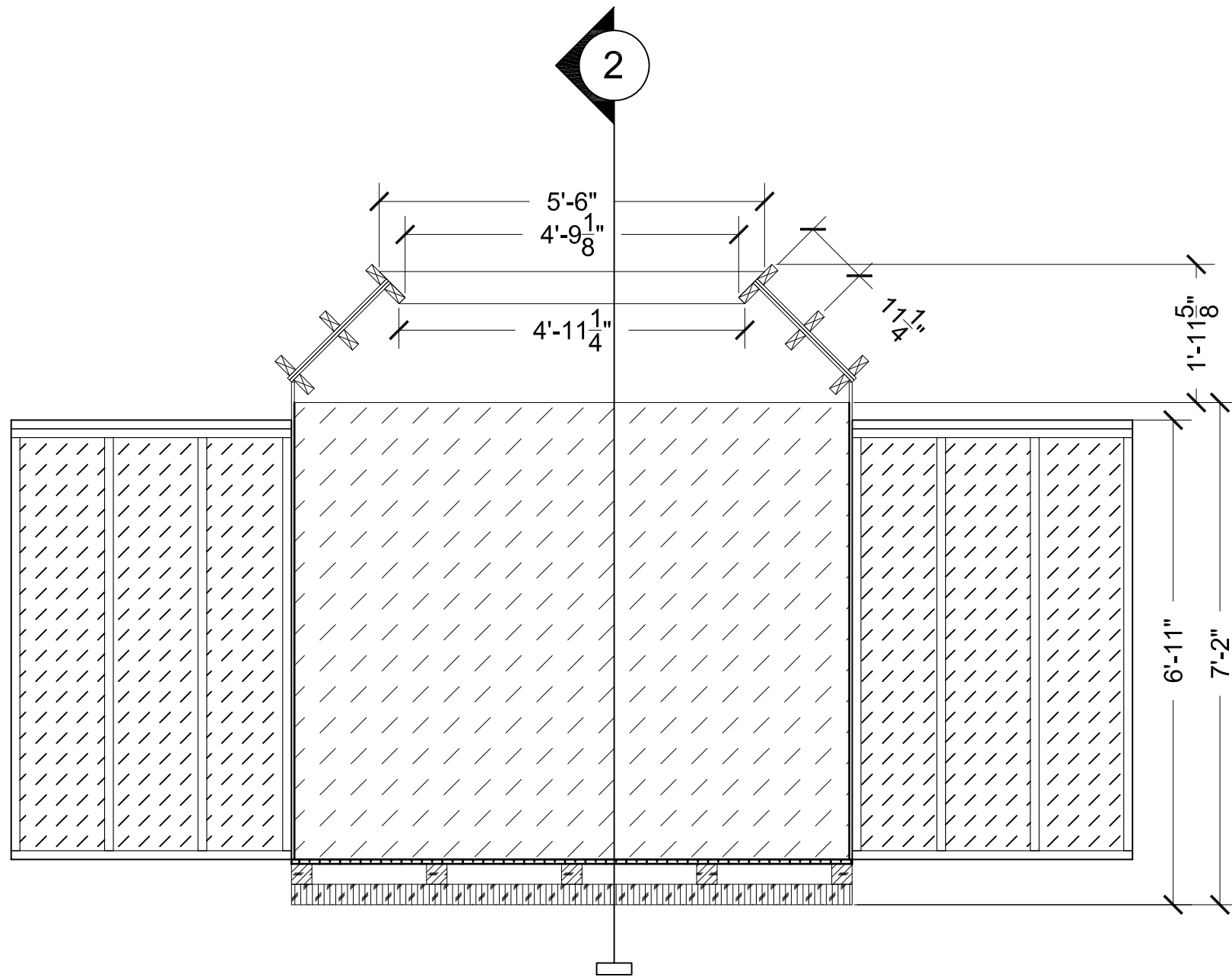
Scale: 1:25



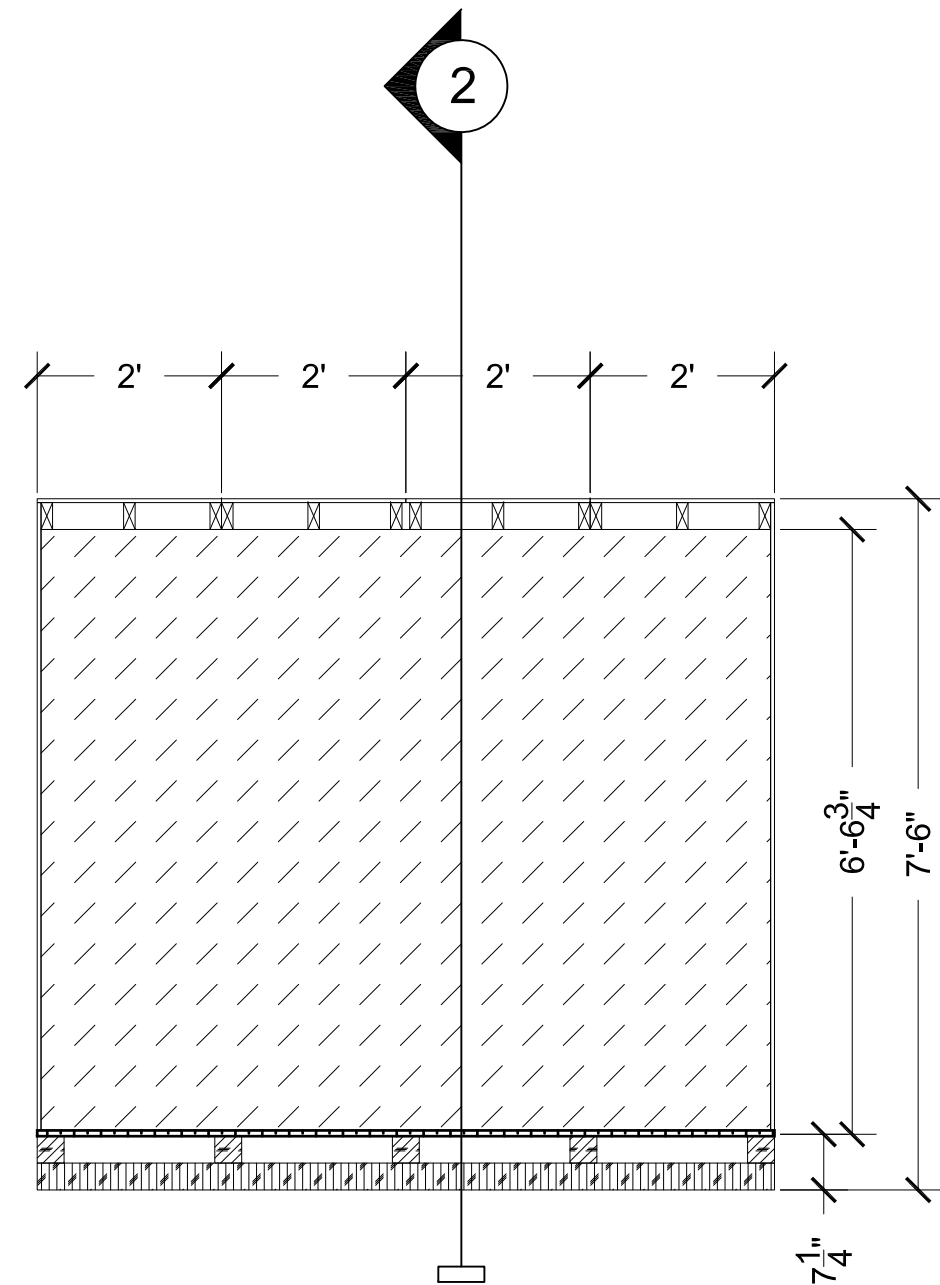
Project Name:  
**SAIT Polytechnic *SKI FORCE ONE***  
**Toboggan & Technical Display Crate**

Project Designation:  
**Shipping Crate Working Drawings**  
**Registration Submission**

Scale: AS SHOWN Project Number: GNCTR 2016 - 1  
 Date: 14/10/2015 Sheet #: **A5 of 7**  
 Drawn By: Kallum Umscheid  
 Checked By: SAIT GNCTR AT Students



OPEN POSITION



CLOSED POSITION

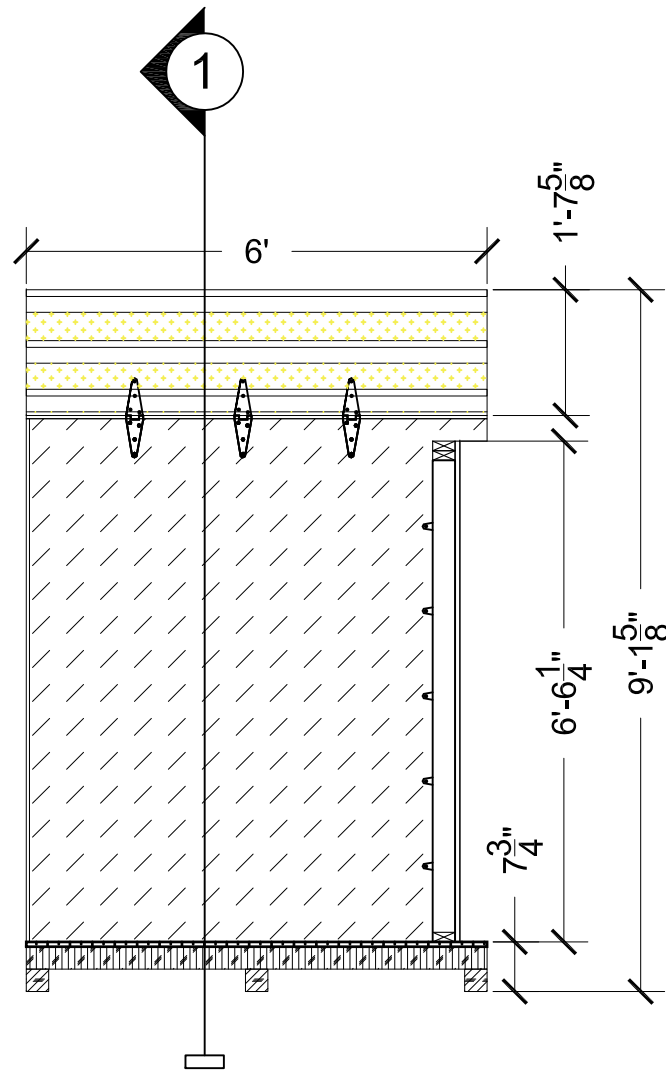
1 REAR ELEVATION  
Scale: 1:25



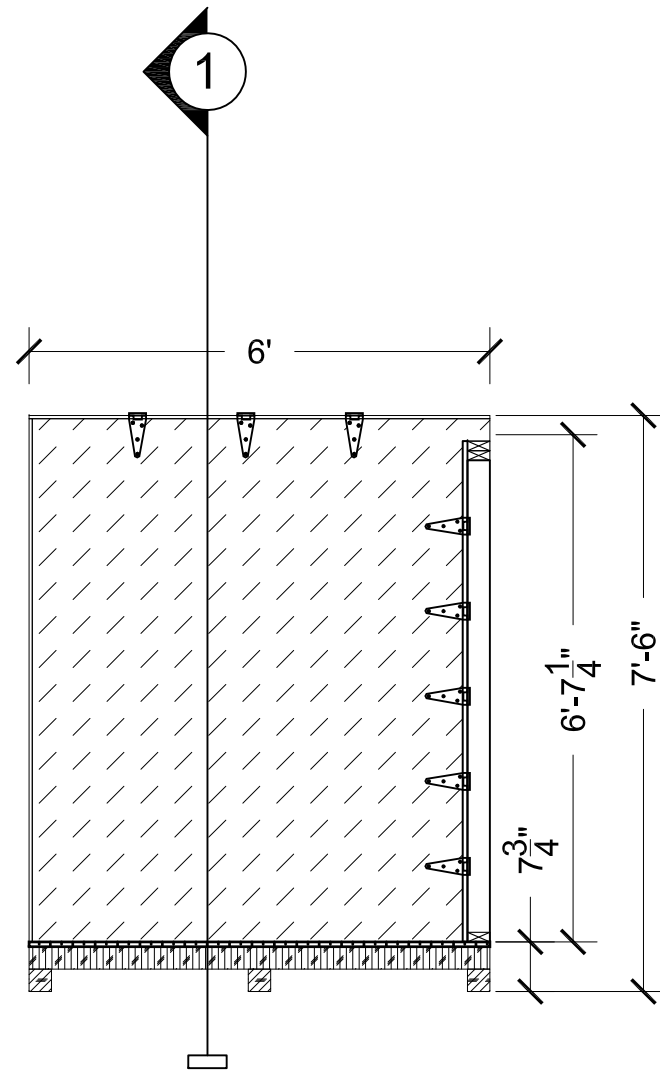
Project Name:  
**SAIT Polytechnic *SKI FORCE ONE***  
**Toboggan & Technical Display Crate**

Project Designation:  
**Shipping Crate Working Drawings**  
**Registration Submission**

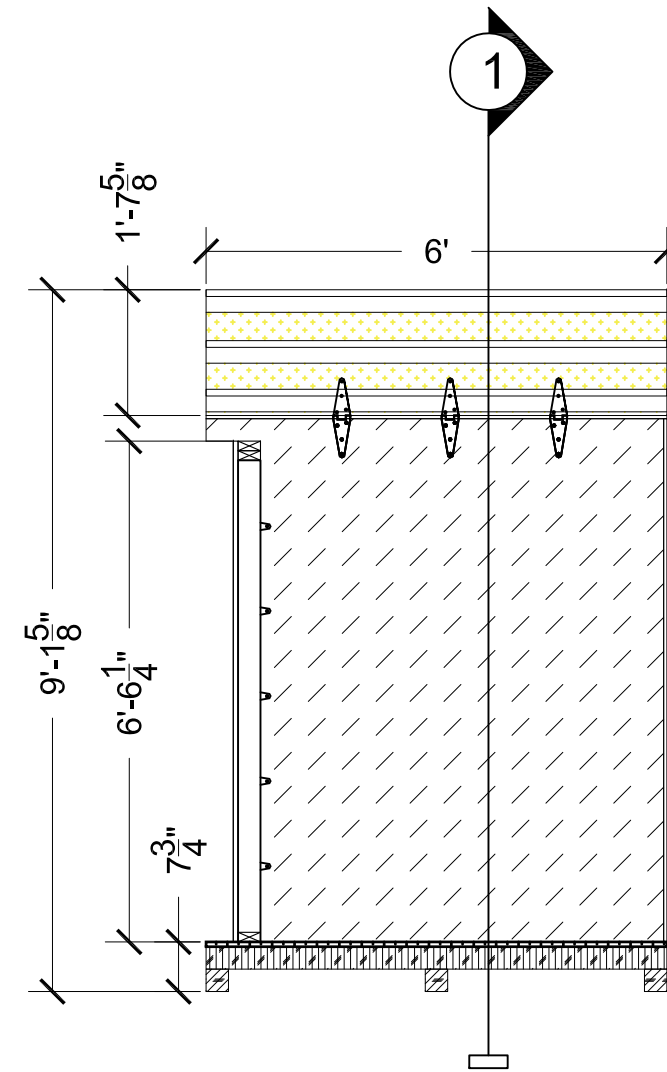
Scale: AS SHOWN Project Number:  
Date: 14/10/2015 **GNCTR 2016 - 1**  
Drawn By: Kallum Umscheid Sheet #:  
Checked By: SAIT GNCTR AT **A6 of 7**  
Students



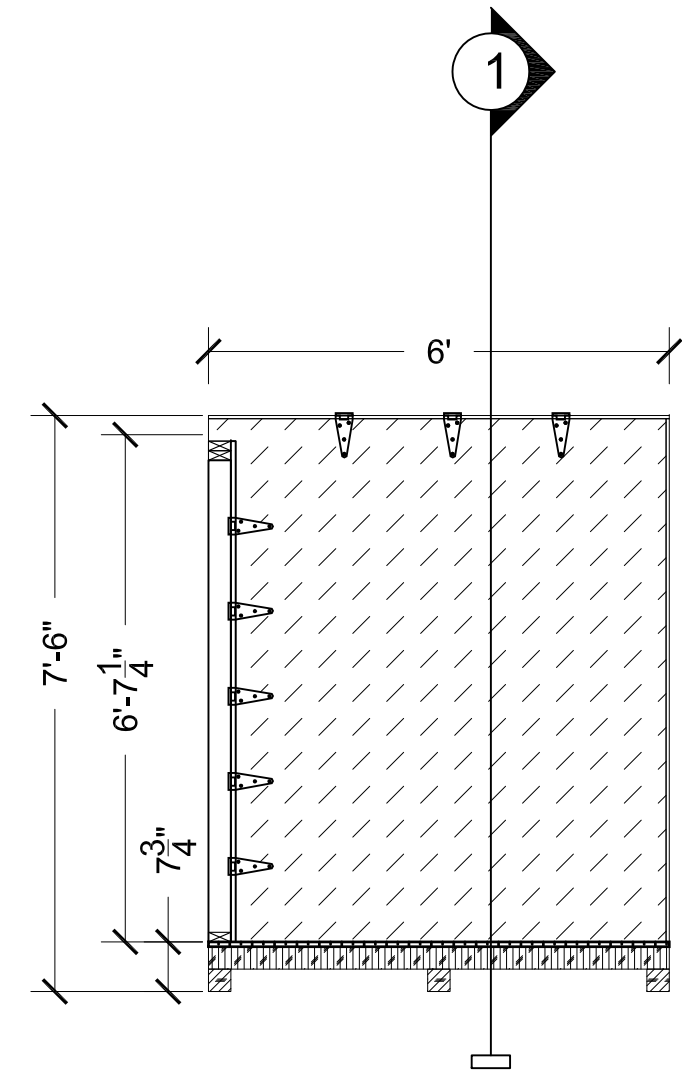
OPEN POSITION



CLOSED POSITION



OPEN POSITION



CLOSED POSITION

**1** LEFT ELEVATION

Scale: 1:30

**2** RIGHT ELEVATION

Scale: 1:30



Project Name:  
**SAIT Polytechnic *SKI FORCE ONE***  
**Toboggan & Technical Display Crate**

Project Designation:  
**Shipping Crate Working Drawings**  
**Registration Submission**

Scale: AS SHOWN Project Number: GNCTR 2016 - 1  
 Date: 14/10/2015  
 Drawn By: Kallum Umscheid Sheet #: **A7 of 7**  
 Checked By: SAIT GNCTR AT Students